

Transport trolleys with handle

Instruction Manual



⚠WARNING: Read carefully and understand all ASSEMBLY AND OPERATION INSTRUCTIONS before operating. Failure to follow the safety rules and other basic safety precautions may result in serious personal injury.

Intended Use

This listing is about 6T/8T/12T Machinery Skate. Equipped with two fixed wheels, two unfixed wheels which can rotate 180 degrees. When it is circumrotated, the maximum adjustable angle in horizon is 45 degrees. So the product can use in many occasions, even in narrow workplace and warehouse.

Technical Specifications				
Property	Dimensions L x W x H (in.)	No. of Rollers	Capacity (lb.)	Product Weight (lb.)
4WQ	11-13/16 x 8-21/32 x 4-21/64	4	13,200	28
6WQ	15-23/64 x 8-21/32 x 4-21/64	6	17,600	40
8WQ	16-17/32 x 10-3/64 x 4-21/64	8	26,400	48

Specific Operation Warnings

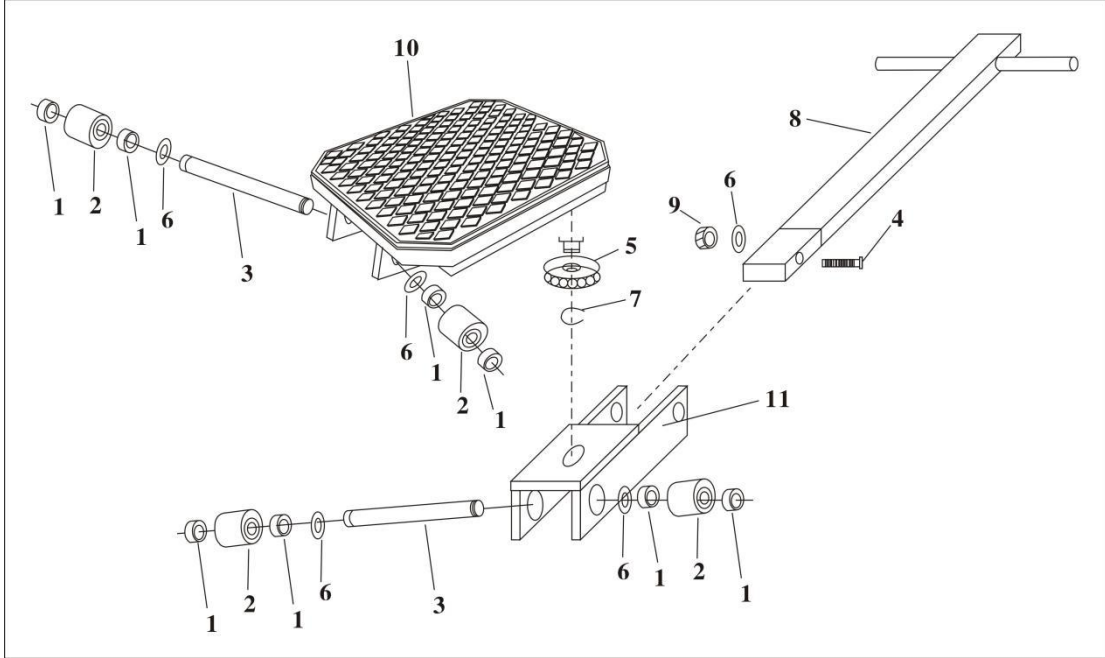
- Study, understand, and follow all instructions before operating this device.
- Do not exceed the rated capacity of 8800 lb.
- Use only on hard, level surfaces.
- When loading the cargo, load at a vertical angle to prevent a rollover.
- Before moving, lower the load to the lowest possible point.
- Before moving the load, be sure the load is centered and secured with a load restraining device.
- No alterations shall be made to this product.

Failure to follow these warnings may result in personal injury and/or property damage.

Operating Instructions

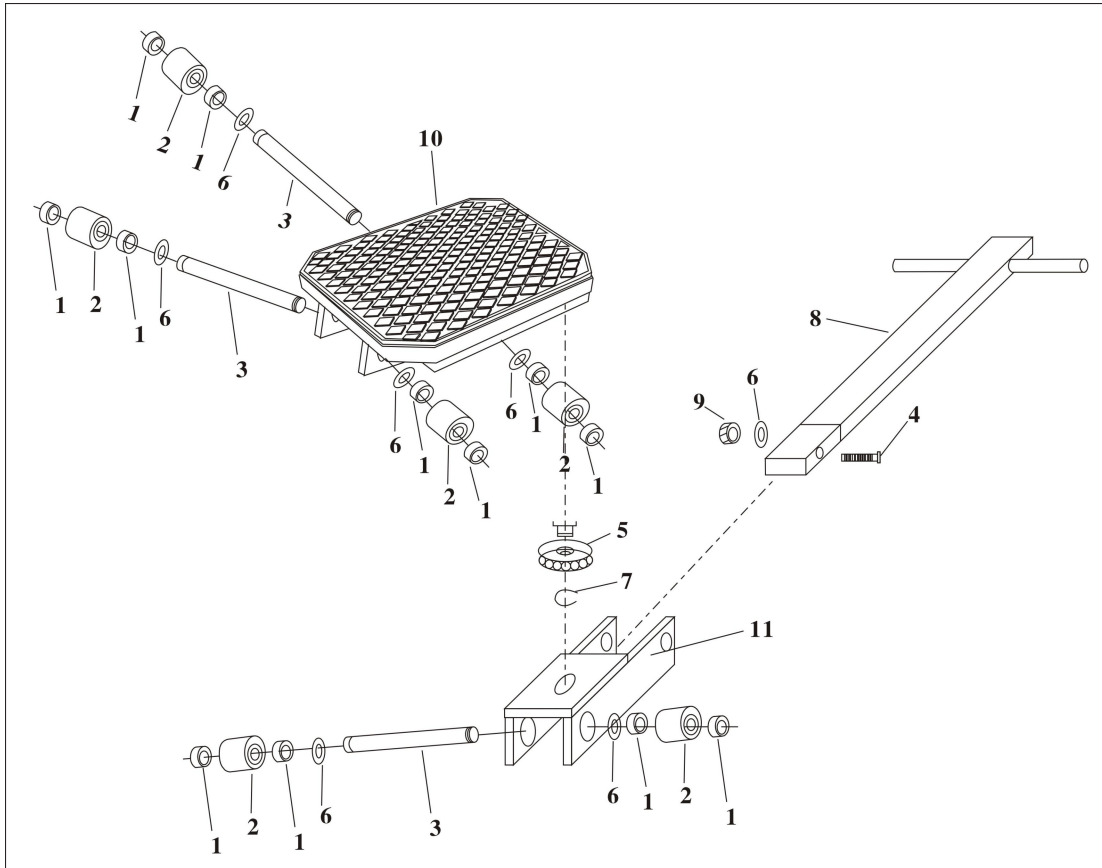
- Choose the cargo in appropriate size and weight to load according to the machinery mover's capacity.
- Place the machinery mover in an appropriate place where it's easy to move the cargo onto the unit.
- Lift and lower the cargo slowly onto the machinery mover, making sure the cargo stays steadily on the unit. Then, push the cargo itself to move the machinery mover.

4WQ Parts Diagram



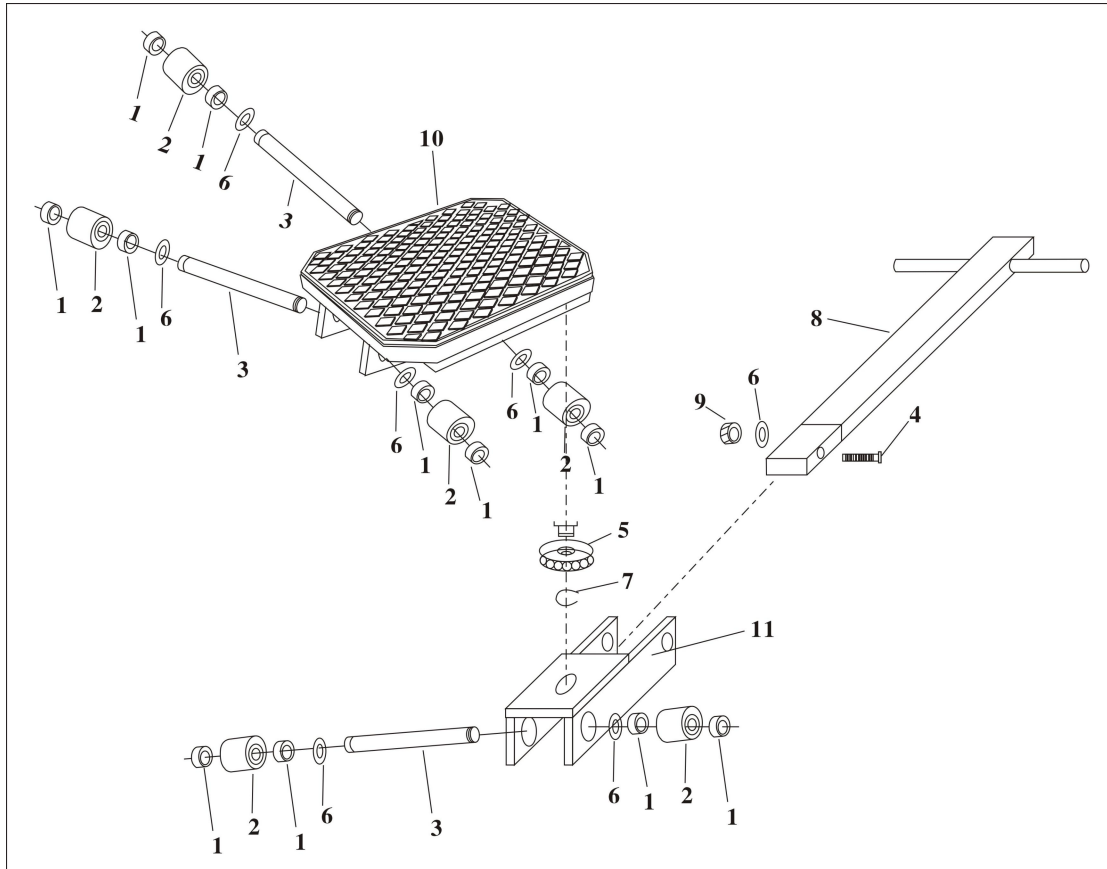
NO	Description	Quantity
1	Bearing	8
2	Wheel	4
3	Axle	2
4	Bolt	1
5	Bearing	1
6	Washer	9
7	Retaining Ring	1
8	Handle	1
9	Nut	1
10	Crest Plank Arts	1
11	Steering mechanism	1

6WQ Parts Diagram



NO.	Description	Quantity
1	Bearing	12
2	Wheel	6
3	Axle	3
4	Bolt	1
5	Bearing	1
6	Washer	13
7	Retaining Ring	1
8	Handle	1
9	Nut	1
10	Crest Plank Arts	1
11	Steering mechanism	1

8WQ Parts Diagram



NO.	Description	Quantity
1	Bearing	16
2	Wheel	8
3	Axle	3
4	Bolt	1
5	Bearing	1
6	Washer	17
7	Retaining Ring	1
8	Handle	1
9	Nut	1
10	Crest Plank Arts	1
11	Steering mechanism	1